

LD Grille



LD Grille

Application

- For supply and exhaust ventilation.
- Wall or ceiling mount.
- Internal or external mounting.

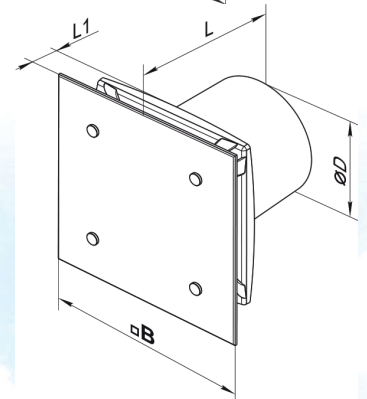
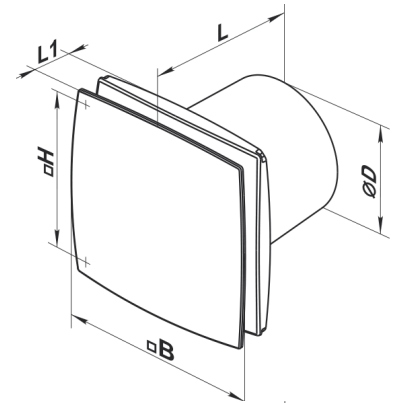
Design

- The casing and the impeller are made of high durable ABS plastic, UV resistant.
- Two piece structure.

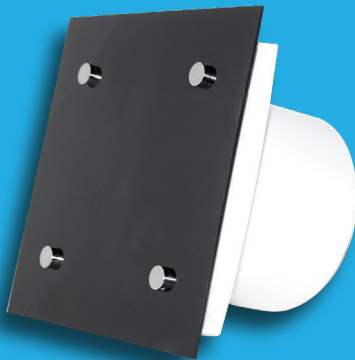
Aluminium LD Grille



| ESC Code | B | H | L | L1 | Flange (OD) |
|----------|-----|-----|----|----|-------------|
| VLD100 | 149 | 149 | 58 | 30 | 100 |
| VLD125 | 206 | 206 | 63 | 34 | 125 |
| VLD150 | 206 | 206 | 70 | 36 | 150 |
| VLDA100 | 149 | 149 | 58 | 30 | 100 |
| VLDA125 | 206 | 206 | 63 | 34 | 125 |
| VLDA150 | 206 | 206 | 70 | 36 | 150 |



Modern Grille



Modern Grille

Application

- For supply and exhaust ventilation.
- Wall or ceiling mount.
- Internal mounting.

Design

- Changeable face plate

Accessory Part No: V150MDPLATE

| ESC Code | oD | B | L | L1 |
|----------|-----|-----|-----|----|
| VMD150G | 150 | 226 | 157 | 39 |

Disc Valve Diffuser



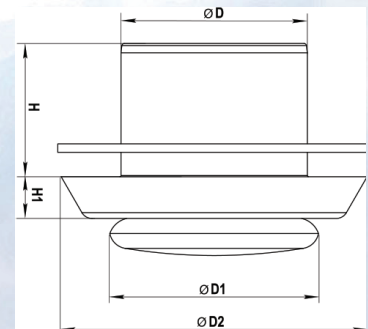
Disc Valve Diffuser

Application

- For supply and exhaust ventilation.
- Used to arrange correct air circulation.

Design

- Made of quality durable plastic.
- Special aerodynamic disk valve design ensures uniform air distribution.
- Easy installation with fixing lugs and a mounting flange with a lock ring.



| ESC Code | OD1 | H | L | H1 | OD2 | Flange (OD) |
|----------|-----|-----|---|----|-----|-------------|
| VDV100 | 141 | 90 | - | 28 | 148 | 100 |
| VDV125 | 166 | 110 | - | 20 | 166 | 125 |
| VDV150 | 188 | 128 | - | 20 | 200 | 150 |